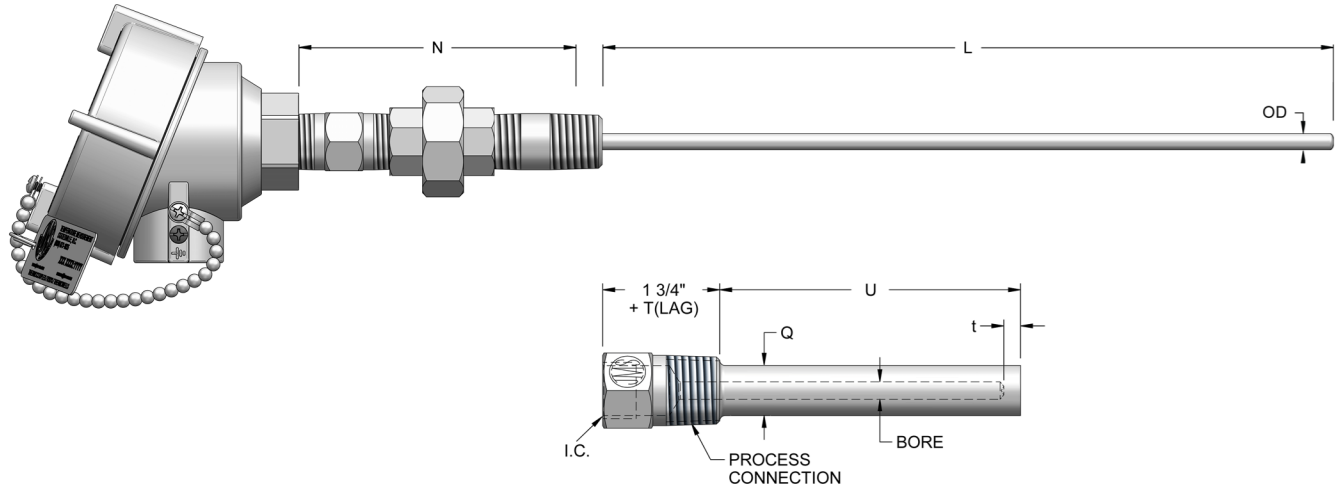


Tag Numbers
<b>Thermowells:</b>
TW-2016-1
TW-2016-2
TW-2016-3
TW-2016-4
TW-2016-5
TW-2016-6
TW-2016-7
TW-2016-8
<b>Sensors:</b>
TE-2016-1
TE-2016-2
TE-2016-3
TE-2016-4
TE-2016-5
TE-2016-6
TE-2016-7
TE-2016-8



Thermowell					
Connection Type	Threaded; Plug/Chain: No			Material	316 SS
Shank Style	Straight	Bore Dia. (d)	0.26"	Sensor Conn. (IC)	1/2" NPSM
Stem Length (U)	4-1/2"	Lag Extension (T)	None	Process Conn. Size	1/2" NPT
Root (Q)	5/8"	Tip Thickness (t)	1/4"		
Tip OD (B)	5/8"	Step Length (Ls)	N/A		
Tagging	Stamped On Well (Std)				
JMS Part #	51ST2CZK1				
Sensor					
Sensor	Type E Thermocouple, Dual Element, Special Limits [ASTM E230-11], Max Temp: > 660°C (1220°F)				
Construction	316 SS, MgO Swaged, 1/4" OD, 6" L, Ungrounded				
Attaching Device	Double Threaded SS Spring-Loaded Fitting-Union-Nipple: 1/2" NPTM; N Len: 4"; 304 SS; 150 psi - A351 Spec				
Cold-End	Head: Explosion Proof, Aluminum, Screw Cap & Chain, NEMA 4X, 1/2" x 3/4" Conduit Conn.				
Tagging	Stainless Steel Tag				
JMS Part #	1E4BKU6"S{UN4"H1}PZZZ1				

JMS SOUTHEAST INCORPORATED CERTIFIES THIS DRAWING IS IN ACCORDANCE WITH JMS SOUTHEAST INCORPORATED ENGINEERING SPECIFICATIONS AND ACCURATELY REPRESENTS THE EQUIPMENT FURNISHED. THIS DRAWING IS THE SOLE PROPERTY OF JMS SE, AND MUST BE RETURNED UPON DEMAND IT MAY NOT BE REPRODUCED NOR THE INFORMATION CONTAINED THEREIN USED WITHOUT THE WRITTEN PERMISSION OF JMS SOUTHEAST INCORPORATED

Company Name:  
**JMS SOUTHEAST INC. - SALES**

Reference Data:	Drawing #: <b>QD9711</b>	Rev <b>0</b>
-----------------	-----------------------------	--------------

Project Name:

Generated By

Date	Initials
05/26/26	

TOLERANCE TABLE:

PROBE (L): 0-48"	±1/8"
48"-144"	±1/4"
144"+	-1/+2"
WIRE (L): <24"	-12/+1"
>24"	-12/+2"
PROT. TUBE (P&U):	±1/4"
FRACTIONAL DIM:	±1/8"
DECIMAL DIM:	
XX	± 0.10"
XXX	± 0.010"
XXXX	± 0.005"

UNLESS STATED OTHERWISE



**JMS SOUTHEAST, INC.**  
 Temperature Measurement  
 105 Temperature Lane  
 Statesville, North Carolina 28677  
 Phone: (704) 873-1835  
 Fax: (704) 878-6166  
 www.jms-se.com  
 Email: sensors@jms-se.com

Not to Scale

Rev. 10-01-2015