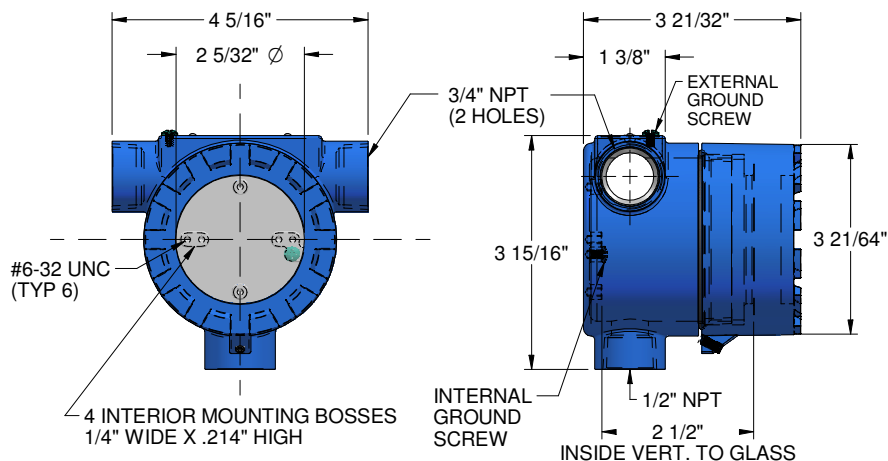


888 SERIES

- Thermocouple and RTD input.
- RFI sensitive.
- Continuous span and zero field adjustability to 10% of designated span.
- Acceptable for hazardous locations. Features: FM, CSA, ATEX & IEC Ex explosion proof for Class I, Div I, Groups B, C, D, Class II, III, Div I, Groups E, F, G. ATEX II. NEMA 4X IP66.
- On thermocouple model, cold junction compensation is included.
- Digital temperature indication.
- Isolated or non-isolated transmitter.
- 5 year warranty.



SPECIFICATION

- *Isolation:
1kV optical isolation peak to peak.
- *Calibration Accuracy:
+/- 0.1% of calibrated span of output.
- *Linearity/Repeatability for RTD transmitters:
+/- 0.1%
- *Inputs:
RTD, thermocouple, millivolt signal, DC voltage and milliamp signal.
- Stability:
+/- 0.2% of calibrated span for 6 months.
- Outputs:
4-20 mA DC.
- Span:
Specify span needed.
- Power Supply:
24 VDC +/- 10% regulation.
- Noise Rejection:
Extremely high common mode and normal mode rejection.
- Span and Zero:
Adjustable continuously to 10% or range designated.
- Approximate Output Limits:
3.6 mA DC minimum and 24 mA DC maximum. Upscale burn-out.
- Turn-on time:
2 seconds, no warm up required.

*Indicates "twice as good".