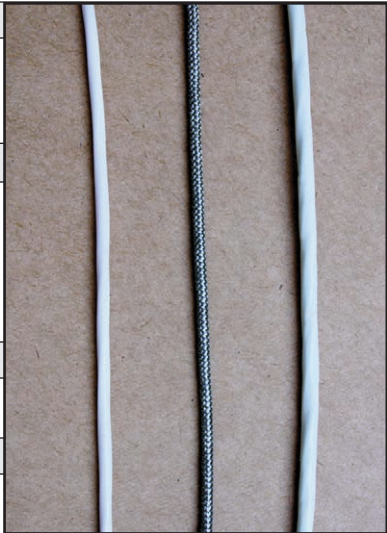
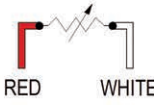
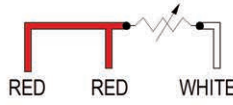
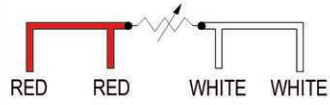
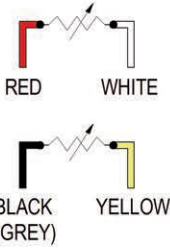
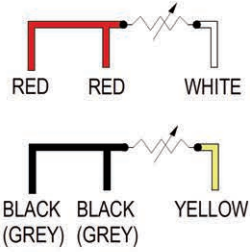
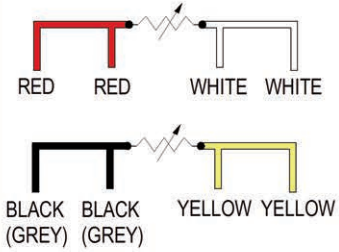


RTD WIRE

#1	DESCRIPTION				
7R	RTD wire				
	#2	INSULATION	*Conductors are color coded per ASTM E1137 & IEC 60751		
	PP	Polyvinyl Chloride(PVC)			
	GG	Fiberglass braid (Standard)			
	GS	Fiberglass braid with stainless steel overbraid (available in 3, 4 or 6 conductor, 24 AWG)			
	KK	Kapton insulated			
	TT*	Extruded Teflon singles, Teflon wrap overall (Standard)			
	TS*	Extruded Teflon singles, Teflon wrap overall, SSOB			
	X	Other, specify			
	#3	NUMBER OF CONDUCTORS			
	2	Two conductors			
	3	Three conductors			
	4	Four conductors			
	X	Other, specify			
	#4	WIRE SIZE			
	16	16 AWG			
	20	20 AWG			
	24	24 AWG (Standard)			
	28	28 AWG			
	30	30 AWG			
	X	Other, specify			
	#5	WIRE CONSTRUCTION			
	1	Solid			
	2	Stranded (Standard)			
	#6	SHIELD			
	N	No shield/not applicable			
	A	Aluminum Mylar shield			

7R	TT	3	24	2	N
----	----	---	----	---	---

RTD WIRING CONFIGURATION AND COLOR CODE
(Reference ASTM 1137 and IEC 60751)

	2-wire-configuration	3-wire-configuration	4-wire-configuration
One resistor	 RED WHITE	 RED RED WHITE	 RED RED WHITE WHITE
Two resistor	 RED WHITE BLACK (GREY) YELLOW	 RED RED WHITE BLACK (GREY) BLACK (GREY) YELLOW	 RED RED WHITE WHITE BLACK (GREY) BLACK (GREY) YELLOW YELLOW