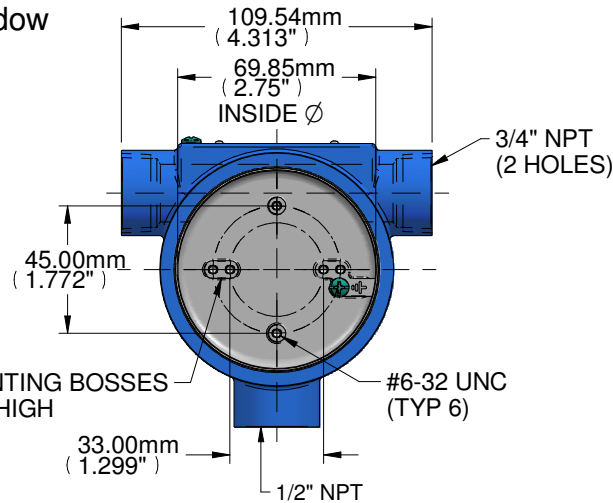
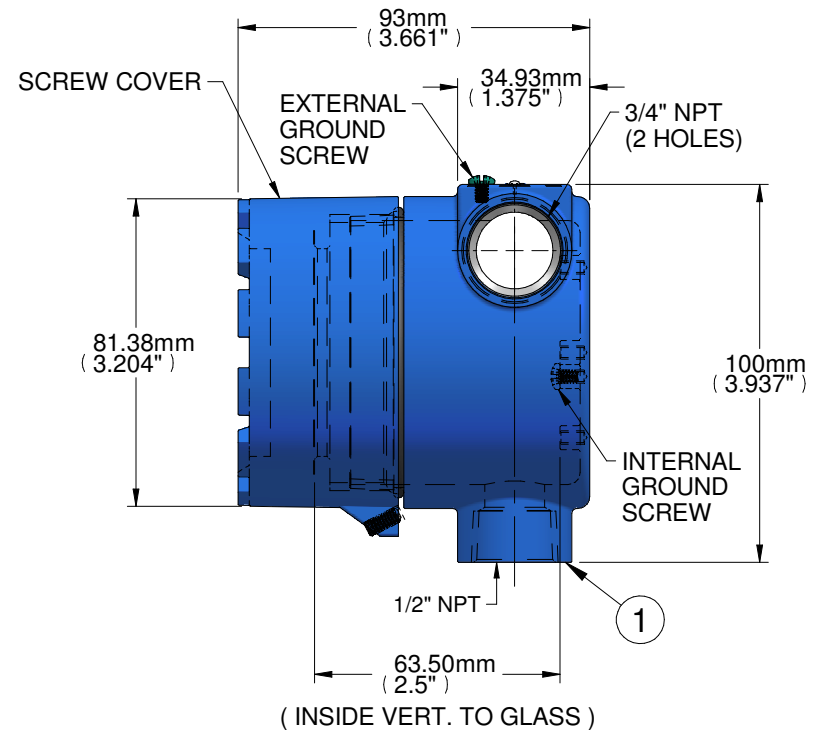


Explosion Proof Certified  
Epoxy Coated  
Moisture resistant  
Dust resistant  
NEMA 4X  
IP66  
Tempered Glass Window



HOLE PATTERNS FOR MOUNTING  
TERMINAL BLOCK/ TRANSMITTER



**JMS PART #**  
**688A1**

JMS SOUTHEAST INCORPORATED CERTIFIES THIS DRAWING IS IN ACCORDANCE WITH JMS SOUTHEAST INCORPORATED ENGINEERING SPECIFICATIONS AND ACCURATELY REPRESENTS THE EQUIPMENT FURNISHED. THIS DRAWING IS THE SOLE PROPERTY OF JMS SE, AND MUST BE RETURNED UPON DEMAND IT MAY NOT BE REPRODUCED NOR THE INFORMATION CONTAINED THEREIN USED WITHOUT THE WRITTEN PERMISSION OF JMS SOUTHEAST INCORPORATED

Company Name:

**JMS-SE HEADS**

COLD END TERMINATION  
SELECTION = GA

Drawing #:  
**18262-M**

TOLERANCE TABLE:  
PROBE (L): 0-48" ±1/8"  
48"-144" ±1/4"  
144"+ -1"/+2"  
WIRE (L): <24" -1/2"/+1"  
>24" -1/2"/+2"  
PROT. TUBE (P&U): ±1/4"  
FRACTIONAL DIM: ±1/8"  
DECIMAL DIM:  
XX ±0.10"  
XXX ±0.010"  
XXXX ±0.005"  
UNLESS STATED OTHERWISE

Approvals	Initials	Date
Drafting		
Engineering		
Second		



**JMS SOUTHEAST, INC.**  
Temperature Measurement  
105 Temperature Lane  
Statesville, North Carolina 28677  
Phone: (704) 873-1835  
Fax: (704) 878-6166  
www.jms-se.com  
Email: sensors@jms-se.com

REV. 4-10-2009

#	DESCRIPTION
1	ENCLOSURE, FM/CSA/ATEX/IECEX EX-PROOF, CLASS I,II,III, GP B,C,D,E,F,G, NEMA 4X, IP66, TEMPERED GLASS WINDOW, EPOXY COATED ALUMINUM