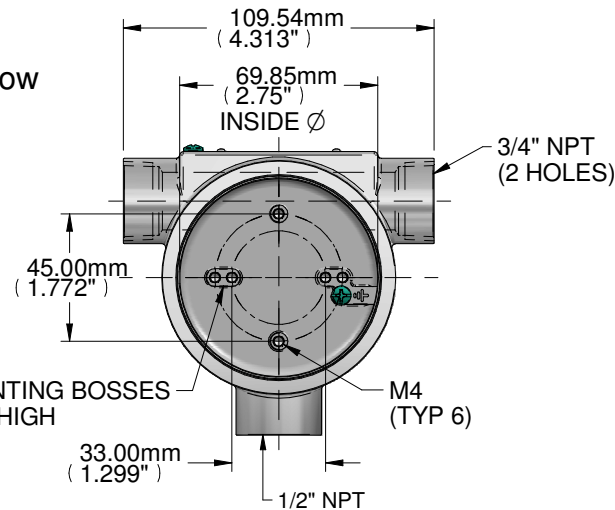
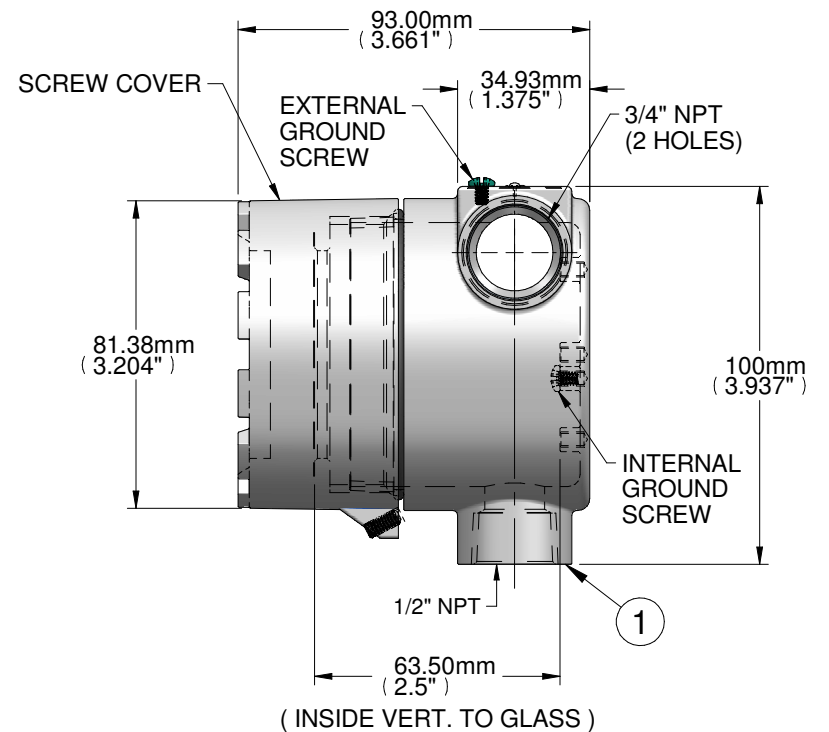


Explosion Proof Certified
 316 SS Construction
 Moisture resistant
 Dust resistant
 NEMA 4X
 IP66
 Tempered Glass Window



HOLE PATTERNS FOR MOUNTING
 TERMINAL BLOCK/ TRANSMITTER



JMS PART #
688S1

JMS SOUTHEAST INCORPORATED CERTIFIES THIS DRAWING IS IN ACCORDANCE WITH JMS SOUTHEAST INCORPORATED ENGINEERING SPECIFICATIONS AND ACCURATELY REPRESENTS THE EQUIPMENT FURNISHED. THIS DRAWING IS THE SOLE PROPERTY OF JMS SE, AND MUST BE RETURNED UPON DEMAND IT MAY NOT BE REPRODUCED NOR THE INFORMATION CONTAINED THEREIN USED WITHOUT THE WRITTEN PERMISSION OF JMS SOUTHEAST INCORPORATED

Company Name:

JMS-SE HEADS

COLD END TERMINATION
 SELECTION = GS

Drawing #:
18262-M

TOLERANCE TABLE:
 PROBE (L): 0-48" ±1/8"
 48"-144" ±1/4"
 144" + -1"/+2"
 WIRE (L): -24° -1/2"/+1"
 $+24^{\circ}$ -1/2"/+2"
 PROT. TUBE (P&U): ±1/4"
 FRACTIONAL DIM: ±1/8"
 DECIMAL DIM:
 XX ±0.10"
 XXX ±0.010"
 XXXX ±0.005"
 UNLESS STATED OTHERWISE

| Approvals | Initials | Date |
|-------------|----------|------|
| Drafting | | |
| Engineering | | |
| Second | | |



JMS SOUTHEAST, INC.
 Temperature Measurement
 105 Temperature Lane
 Statesville, North Carolina 28677
 Phone: (704) 873-1835
 Fax: (704) 878-6166
 www.jms-se.com
 Email: sensors@jms-se.com

REV. 4-10-2009

| # | DESCRIPTION |
|---|--|
| 1 | ENCLOSURE, FM/CSA/ATEX/IECEX EX-PROOF, CLASS I,II,III, GP B,C,D,E,F,G, NEMA 4X, IP66, TEMPERED GLASS WINDOW, 316SS |