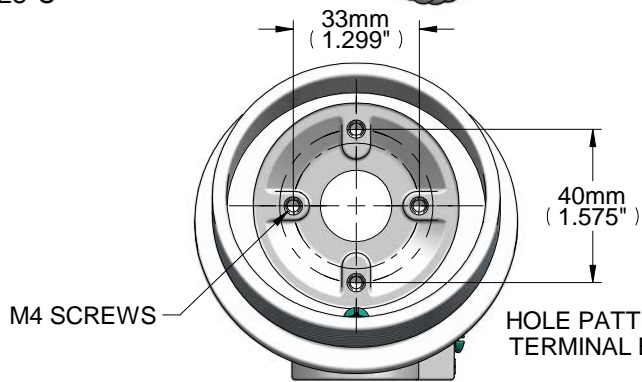
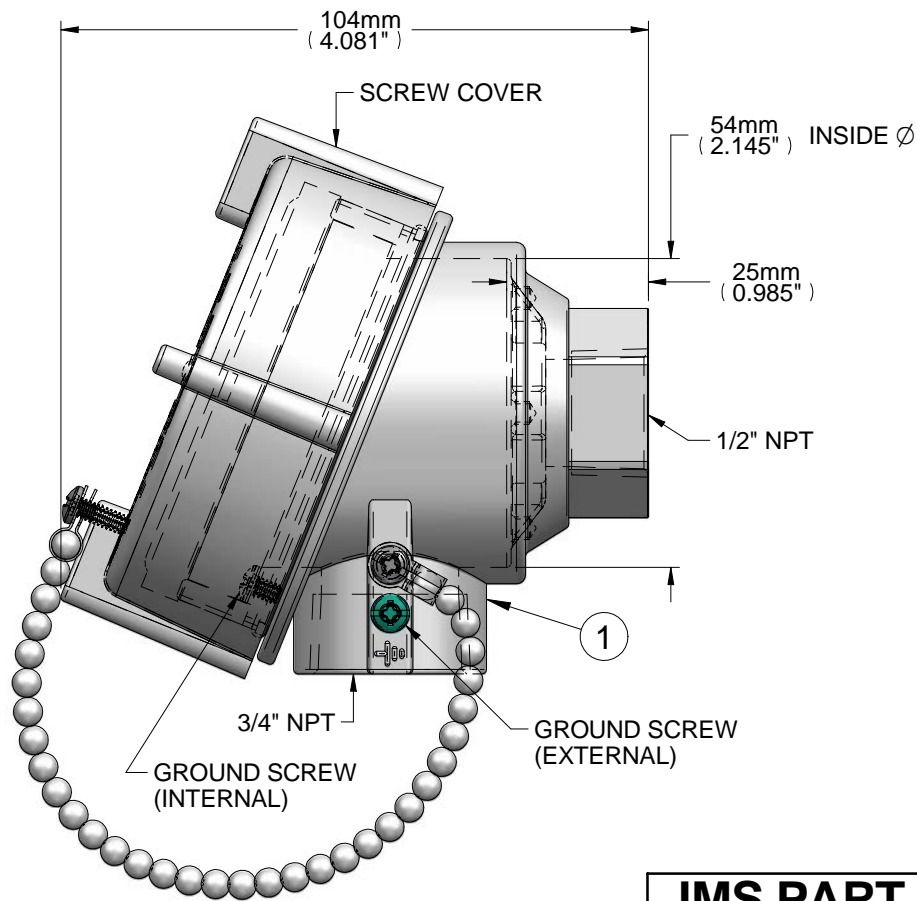


FM / CSA: Class I, Div I Groups B, C, D
 Class II, III Div I Groups E, F, G
 Type NEMA 4X IP66
 Ta = -50°C to 125°C



DESCRIPTION

1 HEAD, EXPLOSION PROOF, NEMA 4X IP 68, ALUMINUM, PAINTED GREY, SCREW COVERED CAP CHAIN,, 3/4" X 1/2" FNPT, Buna N O-RING



JMS PART #
61A

JMS SOUTHEAST INCORPORATED CERTIFIES THIS DRAWING IS IN ACCORDANCE WITH JMS SOUTHEAST INCORPORATED ENGINEERING SPECIFICATIONS AND ACCURATELY REPRESENTS THE EQUIPMENT FURNISHED. THIS DRAWING IS THE SOLE PROPERTY OF JMS SE, AND MUST BE RETURNED UPON DEMAND IT MAY NOT BE REPRODUCED NOR THE INFORMATION CONTAINED THEREIN USED WITHOUT THE WRITTEN PERMISSION OF JMS SOUTHEAST INCORPORATED

| | | | |
|-----------------|------------|---------------------|--|
| Company Name: | | JMS-SE HEADS | |
| Reference Data: | Drawing #: | | |

| TOLERANCE TABLE: | Approvals | Initials | Date |
|--------------------------|-------------------------|----------|------|
| PROBE (L): 0-48" ±1/8" | Drafting | | |
| 48"-144" ±1/4" | | | |
| 144"+ -1"/+2" | | | |
| WIRE (L): <24" -1/2"/+1" | Engineering | | |
| >24" -1/2"/+2" | | | |
| PROT. TUBE (P&U): ±1/4" | | | |
| FRACTIONAL DIM: ±1/8" | Second | | |
| DECIMAL DIM: | | | |
| XX ±0.10" | | | |
| XXX ±0.010" | UNLESS STATED OTHERWISE | | |
| XXXX ±0.005" | | | |



JMS SOUTHEAST, INC.
 Temperature Measurement
 105 Temperature Lane
 Statesville, North Carolina 28677
 Phone: (704) 873-1835
 Fax: (704) 878-6166
 www.jms-se.com
 Email: sensors@jms-se.com