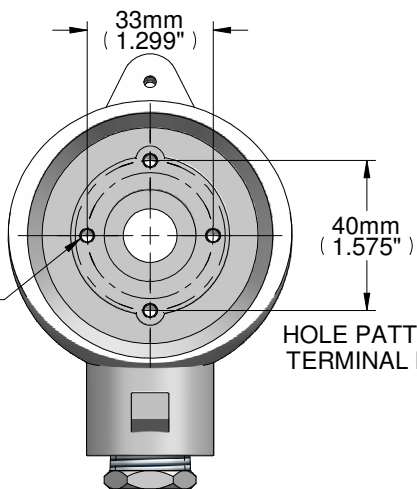


Corrosion resistant
Moisture resistant
Dust resistant
Durable
NEMA 4
Max temp rating 150°C

1

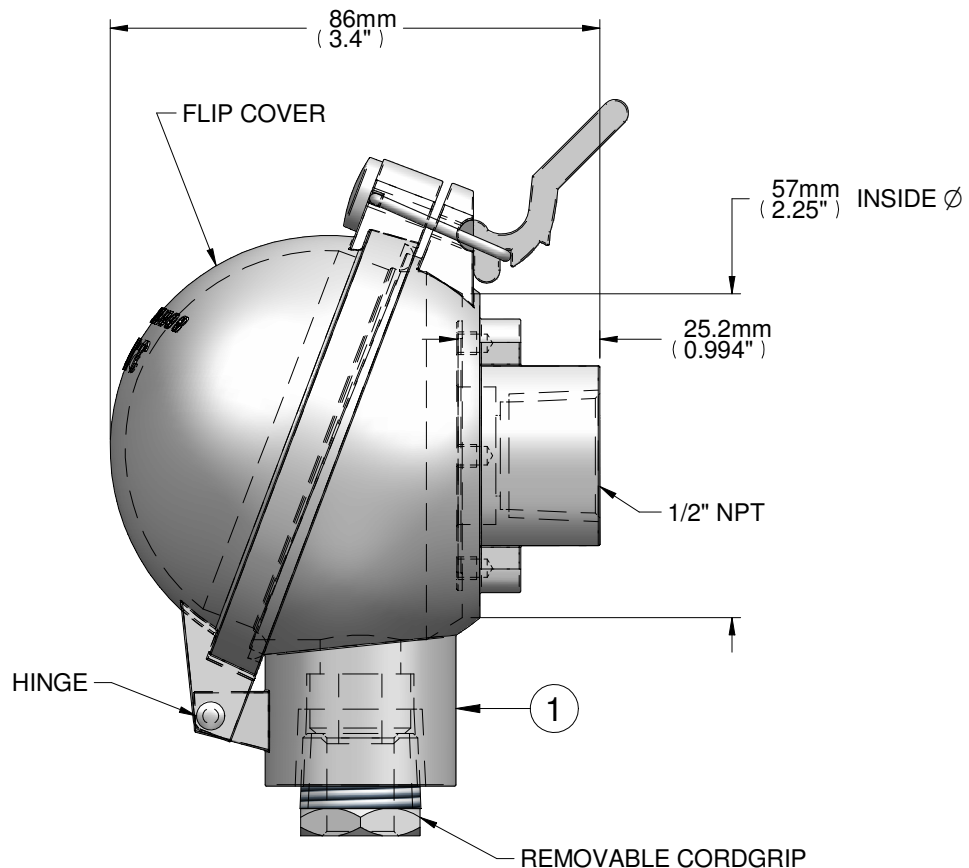


M4 SCREWS

HOLE PATTERNS FOR MOUNTING
TERMINAL BLOCK/ TRANSMITTER

DESCRIPTION

1 HEAD, HINGED COVER, ALUMINUM, 1/2" X 1/2" FNPT WITH REMOVABLE CORDGRIP,
NEMA 4, PAINTED SILVER, RUBBER GASKET

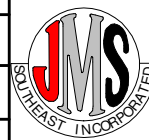


JMS PART #
6L

JMS SOUTHEAST INCORPORATED CERTIFIES THIS DRAWING IS IN ACCORDANCE WITH JMS SOUTHEAST INCORPORATED ENGINEERING SPECIFICATIONS AND ACCURATELY REPRESENTS THE EQUIPMENT FURNISHED. THIS DRAWING IS THE SOLE PROPERTY OF JMS SE, AND MUST BE RETURNED UPON DEMAND IT MAY NOT BE REPRODUCED NOR THE INFORMATION CONTAINED THEREIN USED WITHOUT THE WRITTEN PERMISSION OF JMS SOUTHEAST INCORPORATED

Company Name:		JMS-SE HEADS	
Reference Data:	Drawing #:		

TOLERANCE TABLE:	Approvals	Initials	Date
PROBE (L): 0-48" ±1/8"	Drafting		
48"-144" ±1/4"			
144" + -1"/+2"			
WIRE (L): <24" -1/2"/+1"	Engineering		
>24" -1/2"/+2"			
PROT. TUBE (P&U): ±1/4"			
FRACTIONAL DIM: ±1/8"	Second		
DECIMAL DIM:			
XX ±0.10"			
XXX ±0.010"	UNLESS STATED OTHERWISE		
XXXX ±0.005"			



JMS SOUTHEAST, INC.
Temperature Measurement
105 Temperature Lane
Statesville, North Carolina 28677
Phone: (704) 873-1835
Fax: (704) 878-6166
www.jms-se.com
Email: sensors@jms-se.com