

# FLANGED THERMOWELLS

#1	DESCRIPTION [See pages 5-20 through 5-30 for detailed information on dimensions, velocity ratings, and pressure ratings]
5T	Thermowells - Add a W here for a brass plug and stainless steel chain attached to well (Example: 5TW)

#2	SHANK STYLE [15]		
A	Step (Standard)	B*	Built-up (see page 5-2)
S	Straight	X	Other, specify
T	Tapered	*Consider if overall length of thermowell is 40" or greater	

**Note:** Standard sensor connections are 1/2" FNPSM (female straight) to match 1/2" MNPT (male tapered)

#3	BORE SIZE & SENSOR CONNECTION Standard is NPSM.		
2	.260" ID used for .250" OD sensors (Standard)		
3	.385" ID used for .375" OD sensors (straight or tapered shank style only)		
X	Other, specify		
<b>Note:</b> Add N suffix for FNPT. (Example: 2N = .260" ID with 1/2" FNPT sensor connection)			

#4	U (INSERTION) DEPTH [15]	U DIMENSION	S/L SENSOR LENGTH
A	2"	2"	4"
B	4"	4"	6"
C	7"	7"	9"
D	10"	10"	12"
E	13"	13"	15"
F	16"	16"	18"
G	22"	22"	24"
U_**	Other, specify		

\*If overall length of thermowell is 40" or greater, JMS recommends the use of our "Built-up" shank style (option # 2) (see illustration on page 5-2)

#5	T (LAG) EXTENSION [15]	Length in inches N/A (Standard) <b>Note:</b> Lag extension is needed if flange thickness exceeds 1 3/4".
T_ "		
Z		

#6	WELL MATERIAL [31-34]	Special jackets & coatings are available for thermowells. Call JMS for more information or www.JMS-SE.com.	
G	Carbon steel A105	A	Alloy 800H/HT
H	304 stainless steel	P	Hastelloy B-3
I	Low Carbon 304 stainless steel	Q	Hastelloy C-276
J	310 stainless steel	S	Titanium Grade 2
K	316 stainless steel	X*	Other, specify
L	Low Carbon 316 stainless steel	T	446 stainless steel
M	Inconel 600	*For more options and unique material requirements consult your sales representative directly.	
N	Monel A400		

#7	WELD AND SIZE OF FLANGE [27]			
3	1"	6	3"	Other, specify <b>Note:</b> Add F prefix to selection to specify a Full Penetration Weld is required. (example: F4 = 1 1/2" flange Full penetration weld)
4	1 1/2"	X		
5	2"			

#8	FLANGE PRESSURE RATING per ASME B-16.5			
A	150#	E	900#*	* Consider 1.5" lag
B	300#	F	1500#*	
C	400#	G	2500#*	
D	600#	X	Other, specify	

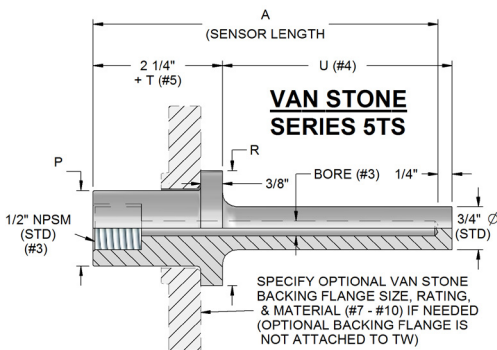
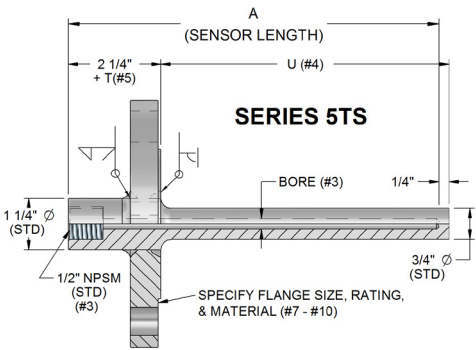
#9	FACING			
1	Raised (Standard)	4	Van Stone no flange	
2	Flat	5	Van Stone w/ flange	
3	Ring Joint Type	X	Other, specify	

#10	FLANGE MATERIAL [31-34]			
G	Carbon steel A105	M	Inconel 600	*For more options and unique material requirements, consult your sales representative directly.
H	304 stainless steel	N	Monel A400	
I	Low Carbon 304 stainless steel	A	Alloy 800H/HT	
J	310 stainless steel	P	Hastelloy B-3	
K	316 stainless steel	Q	Hastelloy C-276	
L	Low Carbon 316 stainless steel	S	Titanium Grade 2	
T	446 stainless steel	X*	Other, specify	

**Note:** You must always specify information required on tag.

Economical sleeve alternatives available. Call JMS for details.

#11	OPTIONS	
1	Tag # stamped on well (Standard)	
X*	Other	
M	MTR	
W	Premium SwiftyCalc ASME 19.3TW Calculation	



Flange Size	P (Stem Ø)	R (Sealing Face Ø)	Flange Bore
1"	1.315"	2.000"	1.375"
1 1/2"	1.900"	2.875"	1.970"
2"	2.375"	3.625"	2.460"

**Matching sensor lengths:**  
 -All Spring-loaded designs and all Compression designs with a nipple/union extension  
 $A = U \text{ length}(\#4) + 2" + T \text{ length}(\#5)$

-All Welded designs  
 $A = U \text{ length}(\#4) + 1 1/4" + T \text{ length}(\#5)$

-All Compression designs without a nipple/union extension  
 $A = U \text{ length}(\#4) + 4 1/4" + T \text{ length}(\#5)$

5T	A	2	C	Z	H	4	A	1	H	1
----	---	---	---	---	---	---	---	---	---	---