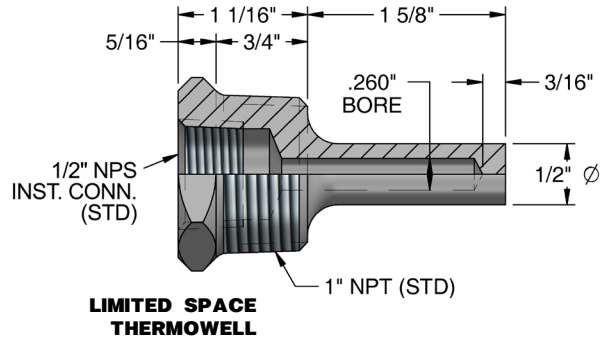


# LIMITED SPACE THERMOWELLS

#1	DESCRIPTION	
5L	Limited space thermowells - Add a W here for a Brass plug and stainless steel chain attached to well (Example: 5LW)	
	#2	WELL MATERIAL & PROCESS CONNECTION SIZE
	H	304 stainless steel
	K	316 stainless steel
	M	Inconel 600
	X	Other, specify
	#3	OPTIONS
	1	Stamped on well (Standard)
	X*	Other
	M	MTR

Standard process connection is 1" NPT. Add a 1 prefix for a 1/2" NPT or a 2 prefix for a 3/4" NPT (Example: 1H = 304 SS with 1/2" NPT process connection) Add an N as a suffix for a NPT Instrument Connection.

**Note:** Immersion length of a spring-loaded sensor to fit this well is 2-1/2".



5L	M	1
----	---	---