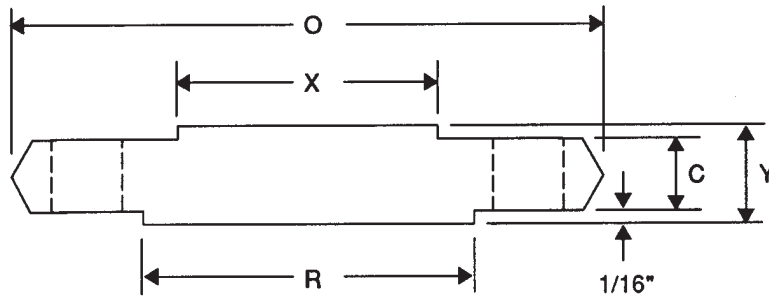


DIMENSIONS FOR THERMOWELL FLANGES



150 POUND 1/16" RAISED FACE	Flange Size	Weight in lbs.	O Outside Diameter	C Thickness	X Diameter of Hub	Y Length	R Diameter of Raised Face
MATERIALS AVAILABLE INCLUDE							
Carbon Steel							
304 Stainless Steel	1/2	1.05	3.50	.44	1.19	.62	1.38
Low Carbon 304 Stainless Steel	3/4	1.50	3.88	.50	1.50	.62	1.69
310 Stainless Steel	1	2.25	4.25	.56	1.94	.69	2.00
316 Stainless Steel	1 1/4	3.13	4.62	.62	2.31	.81	2.50
Low Carbon 316 Stainless Steel	1 1/2	3.97	5.00	.69	2.56	.88	2.88
Inconel 600	2	6.50	6.00	.75	3.06	1.00	3.62
Monel	2 1/2	9.30	7.00	.88	3.56	1.12	4.12
Hastelloy B	3	10.4	7.50	.94	4.25	1.19	5.00
Molybdenum	4	17.6	9.00	.94	5.31	1.31	6.19
Hastelloy C	5	19.0	10.00	.94	6.44	1.44	7.31
Tantalum	6	31.6	11.00	1.00	7.56	1.56	8.50
Titanium	8	53.6	13.50	1.12	9.69	1.75	10.62
300 POUND 1/16" RAISED FACE	Flange Size	Weight in lbs.	O Outside Diameter	C Thickness	X Diameter of Hub	Y Length	R Diameter of Raised Face
MATERIALS AVAILABLE INCLUDE							
Carbon Steel							
304 Stainless Steel	1/2	1.60	3.75	.56	1.50	.88	1.38
Low Carbon 304 Stainless Steel	3/4	3.03	4.62	.62	1.88	1.00	1.69
310 Stainless Steel	1	3.94	4.88	.69	2.12	1.06	2.00
316 Stainless Steel	1 1/4	4.50	5.25	.75	2.50	1.06	2.50
Low Carbon 316 Stainless Steel	1 1/2	7.38	6.12	.81	2.75	1.19	2.88
Inconel 600	2	8.28	6.50	.88	3.31	1.31	3.62
Monel	2 1/2	13.1	7.50	1.00	3.94	1.50	4.12
Hastelloy B	3	17.5	8.25	1.12	4.62	1.69	5.00
Molybdenum	4	31.2	10.00	1.25	5.75	1.88	6.19
Hastelloy C	5	41.6	11.00	1.38	7.00	2.00	7.31
Tantalum	6	55.2	12.50	1.44	8.12	2.06	8.50
Titanium	8	96.0	15.00	1.62	10.25	2.44	10.62

Dimensions are in inches.