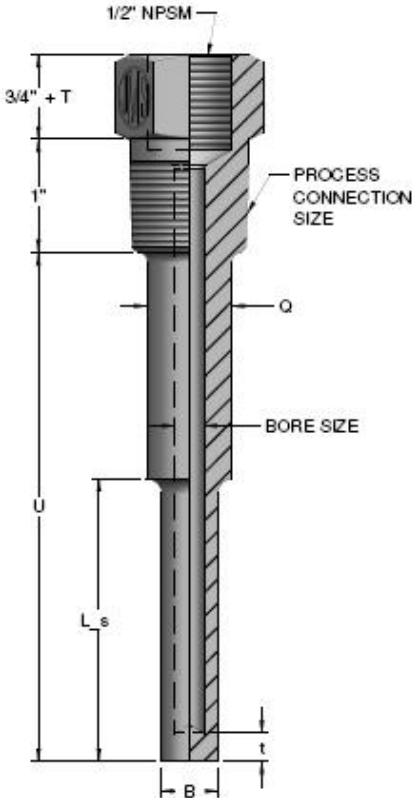


# THERMOWELL DESIGN

## STANDARD THREADED STRAIGHT SHANK .260" BORE THERMOWELL FOR 1/4" DIAMETER ELEMENTS



## STANDARD FLANGED STRAIGHT SHANK .260" BORE THERMOWELL FOR 1/4" DIAMETER ELEMENTS

