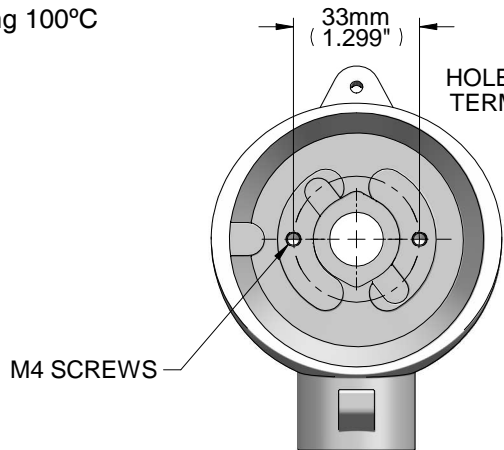


Corrosion resistant  
 Moisture resistant  
 Dust resistant  
 Durable  
 NEMA 4  
 Maximum temp rating 100°C



HOLE PATTERNS FOR MOUNTING  
 TERMINAL BLOCK/ TRANSMITTER

**JMS PART #**  
**6R**

JMS SOUTHEAST INCORPORATED CERTIFIES THIS DRAWING IS IN ACCORDANCE WITH JMS SOUTHEAST INCORPORATED ENGINEERING SPECIFICATIONS AND ACCURATELY REPRESENTS THE EQUIPMENT FURNISHED. THIS DRAWING IS THE SOLE PROPERTY OF JMS SE, AND MUST BE RETURNED UPON DEMAND IT MAY NOT BE REPRODUCED NOR THE INFORMATION CONTAINED THEREIN USED WITHOUT THE WRITTEN PERMISSION OF JMS SOUTHEAST INCORPORATED

|                                      |  |            |  |
|--------------------------------------|--|------------|--|
| Company Name:<br><b>JMS-SE HEADS</b> |  |            |  |
| Reference Data:                      |  | Drawing #: |  |

| TOLERANCE TABLE:  | Approvals   | Initials | Date |
|---|-------------|----------|------|
| PROBE (L): 0-48" ±1/8"<br>48"-144" ±1/4"<br>144" + -1"/+2"  | Drafting    |          |      |
| WIRE (L): <24" -1/2"/+1"<br>>24" -1/2"/+2"  |             |          |      |
| PROT. TUBE (P&U): ±1/4"<br>FRACTIONAL DIM: ±1/8"<br>DECIMAL DIM:<br>XX ±0.10"<br>XXX ±0.010"<br>XXXX ±0.005"<br>UNLESS STATED OTHERWISE | Engineering |          |      |
|   | Second      |          |      |



**JMS SOUTHEAST, INC.**  
 Temperature Measurement  
 105 Temperature Lane  
 Statesville, North Carolina 28677  
 Phone: (704) 873-1835  
 Fax: (704) 878-6166  
 www.jms-se.com  
 Email: sensors@jms-se.com

DESCRIPTION

1 HEAD, GENERAL PURPOSE, ALUMINUM, HINGED HIGH DOME COVER W/ SNAP LOCK, OIL PROOF RUBBER GASKET, 1/2" X 1/2" NPT, NEMA 4