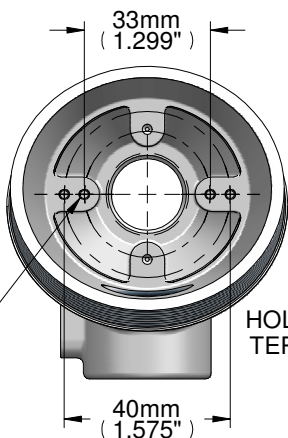
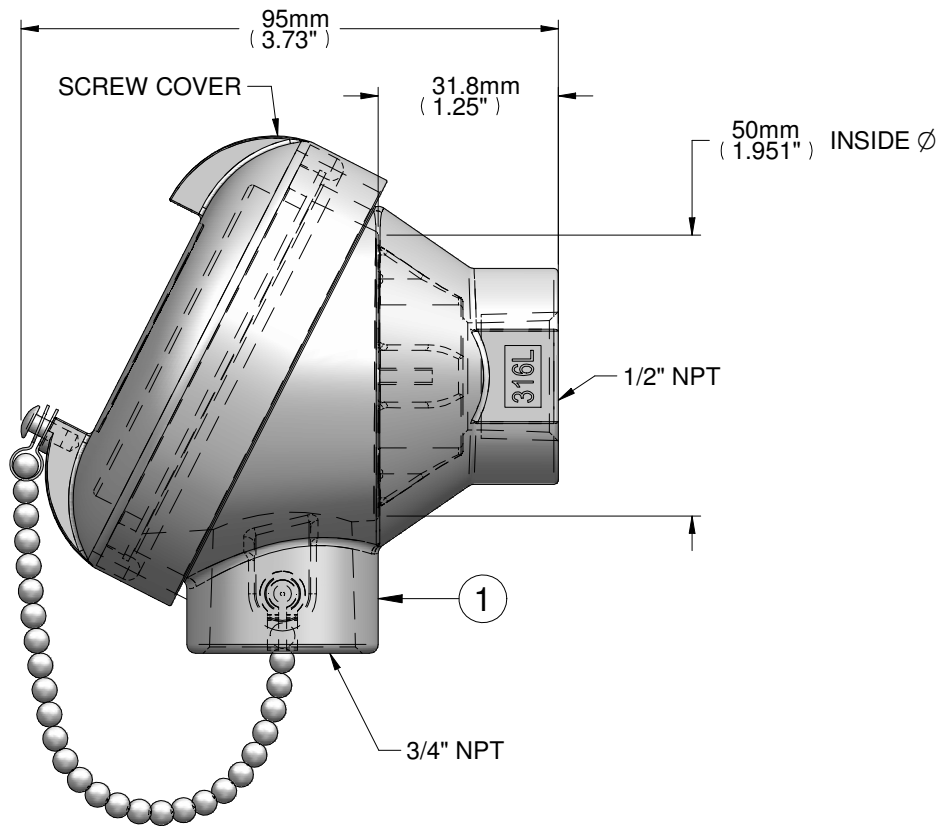


Chemical resistant Corrosion
resistant Moisture resistant
Dust resistant Durable
NEMA 4X
Max temp rating 500°F



6-32 SCREWS

HOLE PATTERNS FOR MOUNTING
TERMINAL BLOCK/ TRANSMITTER

DESCRIPTION

1 HEAD, GENERAL PURPOSE, 316L SS SCREW COVERED CAP & CHAIN, 1/2" X 3/4" FNPT, SILICONE GASKET, WEATHER TIGHT SEAL, NEMA 4X

JMS PART #
6SS

JMS SOUTHEAST INCORPORATED CERTIFIES THIS DRAWING IS IN ACCORDANCE WITH JMS SOUTHEAST INCORPORATED ENGINEERING SPECIFICATIONS AND ACCURATELY REPRESENTS THE EQUIPMENT FURNISHED. THIS DRAWING IS THE SOLE PROPERTY OF JMS SE, AND MUST BE RETURNED UPON DEMAND IT MAY NOT BE REPRODUCED NOR THE INFORMATION CONTAINED THEREIN USED WITHOUT THE WRITTEN PERMISSION OF JMS SOUTHEAST INCORPORATED

Company Name: JMS-SE HEADS			
Reference Data:		Drawing #:	

TOLERANCE TABLE:	Approvals	Initials	Date
PROBE (L): 0-48" ±1/8"			
48"-144" ±1/4"			
144" + -1" / +2"	Drafting		
WIRE (L): $-24"$ -1/2" / +1"			
>24" -1/2" / +2"	Engineering		
PROT. TUBE (P&U): ±1/4"			
FRACTIONAL DIM: ±1/8"			
DECIMAL DIM: ±0.10"			
XX ±0.010"			
XXX ±0.010"	Second		
XXXX ±0.005"			
UNLESS STATED OTHERWISE			



JMS SOUTHEAST, INC.
Temperature Measurement
105 Temperature Lane
Statesville, North Carolina 28677
Phone: (704) 873-1835
Fax: (704) 878-6166
www.jms-se.com
Email: sensors@jms-se.com