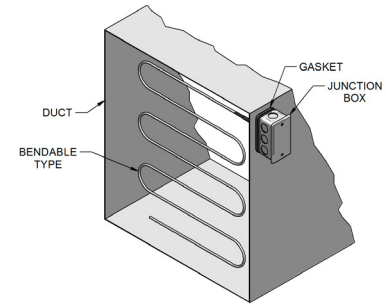


# LOW COST AVERAGING RTDS

Low cost averaging RTDs sense the temperature of air streams in ducts and plenums. This sensor includes a junction box with gasket to prevent leakage and vibration noise.

These thermometers have a continuous element to sense true average temperature along their entire length. They provide accurate composite readings in locations where air may be stratified into hot and cold layers.

Rigid averaging sensors have a brass case. Bendable models have aluminum sheaths (Copper on special order) formable to a radius of 4". Bendable sensors can criss-cross ducts to average temperatures in two dimensions.



### Specifications:

Temperature range: -45.5 to 135°C (-50 to 275°F); Gasket: 100°C (212°F); Leadwire: 22AWG, Teflon insulated, 8" long; Sheath diameter: .188" OD.

#1	DESCRIPTION	
3L	Platinum, 100Ω @ 0°C, a=0.00385	
3LK	Platinum, 1000Ω @ 0°C, a=0.00385	
	#2	SENSOR TYPE
	56	Rigid
	57	Bendable
	#3	WIRE CONFIGURATION
	T	2 Wire
	Y	3 Wire
	#4	INSERTION LENGTH
	_____ "	( Standard Lengths for Rigid type (inches): 12", 18", 24", 48", 60", 72" ) ( Standard Lengths for Bendable type (inches): 72", 144", 288" )
	#5	OPTIONS [Additional options see page 1-7]
	A	Weatherproof connection box (2.12"W X 4.0"H X 1.75"D)
	B	Sensor only, no box
	C	Stainless steel tag
	X	Other

**Note:** When INSERTION LENGTH (Option #4) exceeds 90", the probe may be coiled for shipment.

3L	56	T	60"	A
----	----	---	-----	---