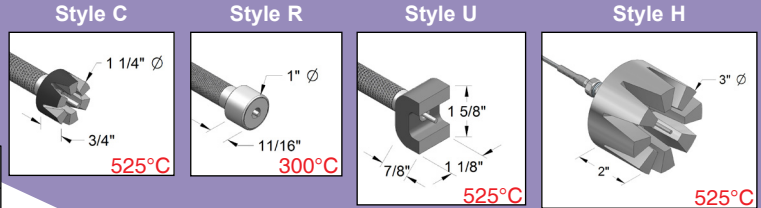


MAGNETIC SURFACE PROBES

#1	MAGNET SURFACE PROBE STYLE	lb pull @ 70°F
4MC	Crown (1-1/4"Ø) (Standard)	25
4MR	Round (1"Ø)	24
4MU	Horseshoe (1-1/8" depth)	19
4MH	Heavy-load (3"Ø)	100



Maximum temperature rating of each magnet shown in red.

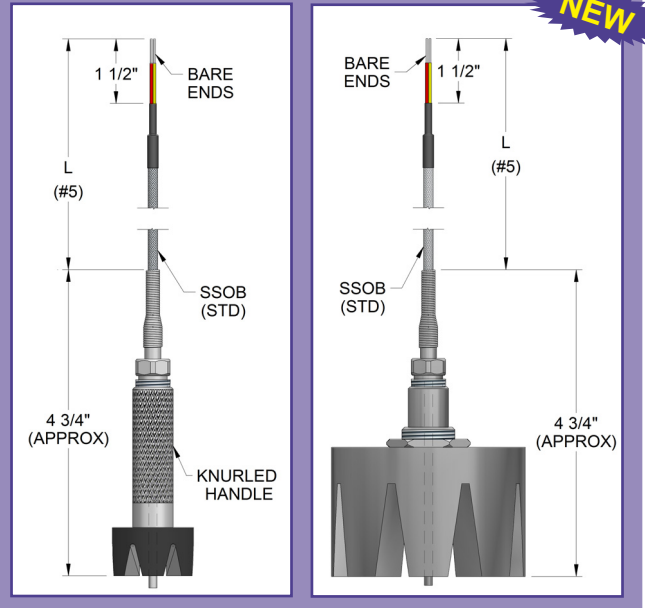
#2	SENSOR TYPE	
	THERMOCOUPLE	
	RTD (class B, Pt100)	
E	Type E	2 2-wire
J	Type J	3 3-wire
K	Type K	4 4-wire
X	Other, specify Note: Add 2 prefix for dual element	

#3	JUNCTION TYPE
G	Grounded (Standard for T/Cs)
U	Ungrounded (RTDs are always ungrounded)

#4	LEADWIRE TYPE & LENGTH
C	Coil-cord Note: See 3-1 for temperature ratings
T	Teflon
TS	Teflon w/ SS overbraid (Standard)
K	Kapton
KS	Kapton w/ SS overbraid
F	Fiberglass
FS	Fiberglass w/ SS overbraid
X	Other, specify

#5	COLD END TERMINATION
A	Bare ends
B	Miniature plug
C	Standard plug
X	Other, specify
Z	N/A [Additional options see Page 1-7]

4MC K G TS36" A



NEW