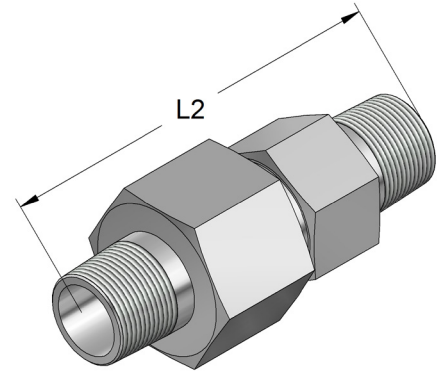
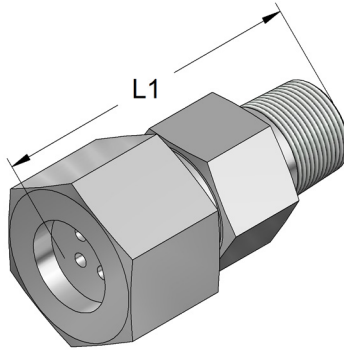


MULTICONDUCTOR FEEDTHROUGHS

Model number includes:

L1 (CAP) OR L2 (CAP) +
TEFLON FERRULE (T) OR
STAINLESS STEEL FERRULE (S)



TO ORDER (Specify model number) Example: 6FT144L1T

SHEATH DIAMETER	MODEL NUMBER	DIAMETER OF PROBE	NUMBER OF PROBES	THREAD NPT	LENGTH		ACROSS FLATS	
					L1	L2	HOUSING	CAP
1/25"	6FT0403 (L1 OR L2) (T OR S)	.040"	3	1/4"	2"	2 1/2"	3/4"	7/8"
	6FT0405 (L1 OR L2) (T OR S)	.040"	5	1/4"	2"	2 1/2"	3/4"	7/8"
	6FT0406 (L1 OR L2) (T OR S)	.040"	6	1/2"	2 5/8"	3 3/8"	1 1/8"	1 3/8"
	6FT0408 (L1 OR L2) (T OR S)	.040"	8	1/2"	2 5/8"	3 3/8"	1 1/8"	1 3/8"
	6FT04010 (L1 OR L2) (T OR S)	.040"	10	3/4"	2 13/16"	3 1/2"	1 1/4"	1 1/2"
	6FT04012 (L1 OR L2) (T OR S)	.040"	12	3/4"	2 13/16"	3 1/2"	1 1/4"	1 1/2"
	6FT04016 (L1 OR L2) (T OR S)	.040"	16	3/4"	2 13/16"	3 1/2"	1 1/4"	1 1/2"
1/16"	6FT1163 (L1 OR L2) (T OR S)	.062"	3	1/4"	2"	2 1/2"	3/4"	7/8"
	6FT1165 (L1 OR L2) (T OR S)	.062"	5	1/4"	2"	2 1/2"	3/4"	7/8"
	6FT1166 (L1 OR L2) (T OR S)	.062"	6	1/2"	2 5/8"	3 3/8"	1 1/8"	1 3/8"
	6FT1168 (L1 OR L2) (T OR S)	.062"	8	1/2"	2 5/8"	3 3/8"	1 1/8"	1 3/8"
	6FT11610 (L1 OR L2) (T OR S)	.062"	10	3/4"	2 13/16"	3 1/2"	1 1/4"	1 1/2"
	6FT11612 (L1 OR L2) (T OR S)	.062"	12	3/4"	2 13/16"	3 1/2"	1 1/4"	1 1/2"
	6FT11616 (L1 OR L2) (T OR S)	.062"	16	3/4"	2 13/16"	3 1/2"	1 1/4"	1 1/2"
1/8"	6FT183 (L1 OR L2) (T OR S)	.125"	3	1/2"	2 5/8"	3 3/8"	1 1/8"	1 3/8"
	6FT184 (L1 OR L2) (T OR S)	.125"	4	1/2"	2 5/8"	3 3/8"	1 1/8"	1 3/8"
	6FT186 (L1 OR L2) (T OR S)	.125"	6	3/4"	2 13/16"	3 1/2"	1 1/4"	1 1/2"
	6FT188 (L1 OR L2) (T OR S)	.125"	8	3/4"	2 13/16"	3 1/2"	1 1/4"	1 1/2"
3/16"	6FT3163 (L1 OR L2) (T OR S)	.188"	3	1/2"	2 5/8"	3 3/8"	1 1/8"	1 3/8"
	6FT3165 (L1 OR L2) (T OR S)	.188"	5	3/4"	2 13/16"	3 1/2"	1 1/4"	1 1/2"
1/4"	6FT143 (L1 OR L2) (T OR S)	.250"	3	3/4"	2 13/16"	3 1/2"	1 1/4"	1 1/2"

Many other size and style options available!

Call JMS for more information or visit JMS-SE.com