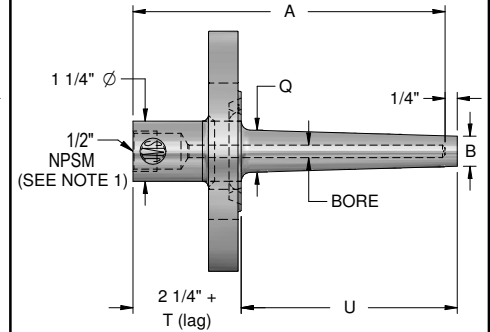
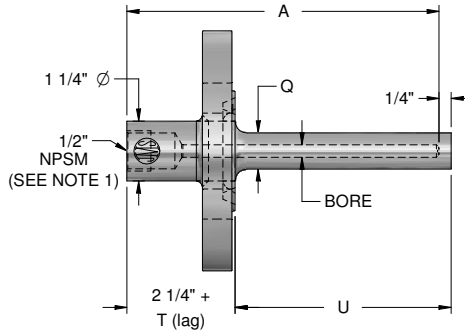
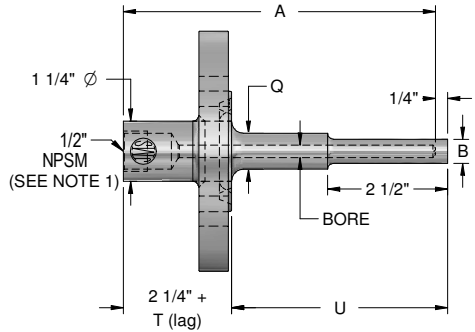


# THERMOWELL DIMENSIONS

## DIMENSIONS FOR STANDARD RING JOINT TYPE THERMOWELL DESIGNS



### STEP SHANK

SIZE	BORE	U	Q	B
1"	.260"	≤ 2 1/2"	.750"	.750"
		> 2 1/2"	.750"	.500"
	.385"	N/A	N/A	N/A
1 1/2"	.260"	≤ 2 1/2"	.750"	.750"
		> 2 1/2"	.750"	.500"
	.385"	N/A	N/A	N/A
2"	.260"	≤ 2 1/2"	.750"	.750"
		> 2 1/2"	.750"	.500"
	.385"	N/A	N/A	N/A

### STRAIGHT SHANK

SIZE	BORE	U	Q
1"	.260"	ALL	.750"
	.385"		.875"
1 1/2"	.260"		.750"
	.385"		.875"
2"	.260"		.750"
	.385"		.875"

### TAPERED SHANK

SIZE	BORE	U	Q	B
1"	.260"	ALL	.875"	.625"
			.385"	.875"
1 1/2"	.260"		1.063"	.625"
			.385"	1.063"
2"	.260"		1.063"	.625"
			.385"	1.063"

### NOTES:

- 1) - NPT THREAD TYPE IS OPTIONAL
- 2) - A DIMENSION IS THE BORE DEPTH AND MATCHING SPRING LOADED SENSOR IMMERSION LENGTH.